

产品描述 Description

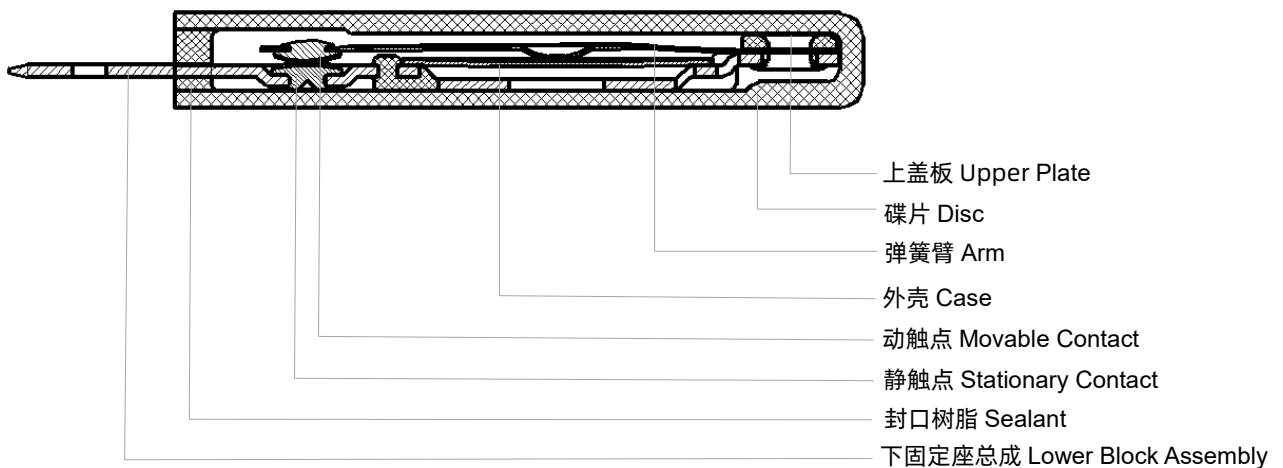
赛尔特 (SETsafe | SETfuse) 的 12TP 系列为自动复位的温控器产品，主要用圆形的双金属片来感应温度，利用弹簧臂上的触点来接通和断开回路。当环境温度超过双金属片的预校准温度时，双金属片即快速跳脱，打开弹簧臂，并快速断开电路。当环境温度下降后达到安全温度时，12TP 将自动复位，从而恢复电路供电。

SETsafe | SETfuse 12TP is an auto resettable thermal protector. It mainly uses round bimetal disc to sense the temperature, and uses the contact of the movable arm to open and close the circuit. When the ambient temperature reaches the pre-calibration temperature of the bimetal disc, the bimetal disc will snap off quickly and then make the movable arm to disconnect the circuit. While the ambient temperature recovers to the safe temperature, 12TP will automatically resets allowing power to be restored to the circuit.

应用领域 Applications

- 热水器 Water Heaters
- 汽车电热座垫 Car Electric Heated Seats
- 电池组 Battery Packs
- 变压器 Transformers
- 烘干机 Dryers

结构图 Structure Diagrams



安规认证 Agency Approvals

认证标志 Agency Mark	标准 Standards	认证号 File No.
	GB/T14536.1-2008 GB/T14536.10-2008	On-going

技术参数 Specifications

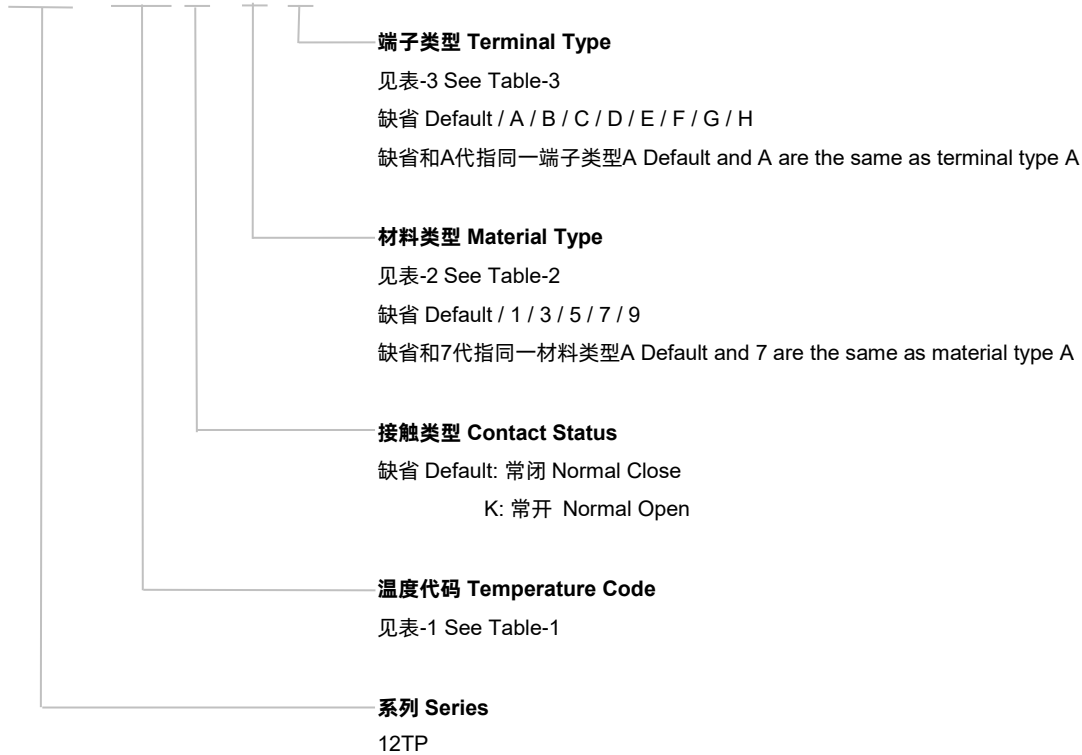
触容量 Contact Capacity	寿命 Cycle Life	电压 Rated Voltage (Ur)	电流 Rated Current (Ir)
	循环次数 Cycles	(V)	(A)
	≥ 10,000	AC 277	12
	≥ 10,000	AC 125	20
	≥ 100,000	DC 24	8
接触电阻 Contact Resistance	≤ 30 mΩ		
动作温度范围 Operating Temperature	30 °C ~ 155 °C (每 5 °C 一档) in increments of 5K		
长期工作温度 Long-term Service Temperature	-20 °C ~ 160 °C		
电气强度 Electric Strength	1700 V.r.m.s. 60 Hz, 1 minute, (端子与外壳间) Terminal to Case		
引线规格 Lead Wire Type	UL3135 18 AWG 600 V, (其他规格可定制) other wire size is also available		

TMS

TMS

产品型号 Part Number System

12TP - 125 - K - 9 C



TMS

TMS

表-1温度代码 Table-1 Temperature Code

温度代码 Temperature Code	动作温度 Operating Temperature	复位温度 Recovery Temperature	温度代码 Temperature Code	动作温度 Operating Temperature	复位温度 Recovery Temperature
	(°C)	(°C)		(°C)	(°C)
030	30	≥ 20	095	95	70
035	35	≥ 25	100	100	75
040	40	≥ 30	105	105	75
045	45	≥ 35	110	110	80
050	50	≥ 35	115	115	85
055	55	≥ 35	120	120	85
060	60	45	125	125	90
065	65	45	130	130	90
070	70	50	135	135	95
075	75	55	140	140	100
080	80	60	145	145	100
085	85	65	150	150	105
090	90	65	155	155	105

表-2材料类型 Table-2 Material Type

代号 Code	五金件 Hardware	触点 Contact	铆钉压板 Slug
1	新日铁 Nippon Steel	银层 0.1 mm Silver Layer 0.1 mm	紫铜 Red Copper
3	黄铜 Brass	银层 0.1 mm Silver Layer 0.1 mm	紫铜 Red Copper
5	黄铜镀银 Brass Silver Plated	银层 0.1 mm Silver Layer 0.1 mm	紫铜 Red Copper
7	黄铜镀银 Brass Silver Plated	银层 0.1 mm Silver Layer 0.1 mm	紫铜镀银 Red Copper Silver Plated
9	黄铜镀银 Brass Silver Plated	银层 0.1 mm 镀金 Silver Layer 0.1 mm Gold Plated	紫铜镀银 Red Copper Silver Plated

表-3端子类型 Table-3 Terminal Type

代号 Code	图示及简述 Dimensions (mm)	代号 Code	图示与简述 Dimensions (mm)																																												
A	<table border="1"> <tr> <td>L (±0.5)</td> <td>L₁ (±0.2)</td> <td>H (±0.2)</td> <td>H₁ (±0.1)</td> </tr> <tr> <td>29.0</td> <td>6.0</td> <td>4.0</td> <td>0.5</td> </tr> <tr> <td>H₂ (±0.2)</td> <td>W (±0.2)</td> <td>W₁ (±0.2)</td> <td>W₂ (±0.2)</td> </tr> <tr> <td>1.3</td> <td>15.4</td> <td>9.3</td> <td>4.0</td> </tr> </table>	L (±0.5)	L ₁ (±0.2)	H (±0.2)	H ₁ (±0.1)	29.0	6.0	4.0	0.5	H ₂ (±0.2)	W (±0.2)	W ₁ (±0.2)	W ₂ (±0.2)	1.3	15.4	9.3	4.0	B	<table border="1"> <tr> <td>L (±0.5)</td> <td>L₁ (±0.2)</td> <td>H (±0.2)</td> <td>H₁ (±0.1)</td> <td>L₂ (±0.1)</td> <td>H₂ (±0.2)</td> </tr> <tr> <td>29.0</td> <td>6.0</td> <td>4.0</td> <td>0.5</td> <td>2.0</td> <td>1.3</td> </tr> <tr> <td>W (±0.2)</td> <td>W₁ (±0.2)</td> <td>W₂ (±0.2)</td> <td>W₃ (±0.1)</td> <td>W₄ (±0.1)</td> <td></td> </tr> <tr> <td>15.4</td> <td>9.3</td> <td>4.0</td> <td>1.0</td> <td>2.0</td> <td></td> </tr> </table>	L (±0.5)	L ₁ (±0.2)	H (±0.2)	H ₁ (±0.1)	L ₂ (±0.1)	H ₂ (±0.2)	29.0	6.0	4.0	0.5	2.0	1.3	W (±0.2)	W ₁ (±0.2)	W ₂ (±0.2)	W ₃ (±0.1)	W ₄ (±0.1)		15.4	9.3	4.0	1.0	2.0					
		L (±0.5)	L ₁ (±0.2)	H (±0.2)	H ₁ (±0.1)																																										
29.0	6.0	4.0	0.5																																												
H ₂ (±0.2)	W (±0.2)	W ₁ (±0.2)	W ₂ (±0.2)																																												
1.3	15.4	9.3	4.0																																												
L (±0.5)	L ₁ (±0.2)	H (±0.2)	H ₁ (±0.1)	L ₂ (±0.1)	H ₂ (±0.2)																																										
29.0	6.0	4.0	0.5	2.0	1.3																																										
W (±0.2)	W ₁ (±0.2)	W ₂ (±0.2)	W ₃ (±0.1)	W ₄ (±0.1)																																											
15.4	9.3	4.0	1.0	2.0																																											
C	<table border="1"> <tr> <td>L (±0.5)</td> <td>L₁ (±0.2)</td> <td>H (±0.2)</td> <td>H₁ (±0.1)</td> <td>H₂ (±0.2)</td> </tr> <tr> <td>29.0</td> <td>5.0</td> <td>4.0</td> <td>1.6</td> <td>1.3</td> </tr> <tr> <td>W (±0.2)</td> <td>W₁ (±0.2)</td> <td>W₂ (±0.2)</td> <td>α (±2°)</td> <td></td> </tr> <tr> <td>15.4</td> <td>8.5</td> <td>3.4</td> <td>60</td> <td></td> </tr> </table>	L (±0.5)	L ₁ (±0.2)	H (±0.2)	H ₁ (±0.1)	H ₂ (±0.2)	29.0	5.0	4.0	1.6	1.3	W (±0.2)	W ₁ (±0.2)	W ₂ (±0.2)	α (±2°)		15.4	8.5	3.4	60		D	<table border="1"> <tr> <td>L (±0.5)</td> <td>L₁ (±0.2)</td> <td>L₂ (±0.1)</td> <td>H (±0.2)</td> <td>H₁ (±0.1)</td> <td>H₂ (±0.2)</td> </tr> <tr> <td>29.0</td> <td>6.0</td> <td>2.0</td> <td>4.0</td> <td>1.6</td> <td>1.3</td> </tr> <tr> <td>W (±0.2)</td> <td>W₁ (±0.2)</td> <td>W₂ (±0.2)</td> <td>W₃ (±0.1)</td> <td>W₄ (±0.1)</td> <td>α (±2°)</td> </tr> <tr> <td>15.4</td> <td>8.5</td> <td>3.4</td> <td>1.0</td> <td>1.5</td> <td>60</td> </tr> </table>	L (±0.5)	L ₁ (±0.2)	L ₂ (±0.1)	H (±0.2)	H ₁ (±0.1)	H ₂ (±0.2)	29.0	6.0	2.0	4.0	1.6	1.3	W (±0.2)	W ₁ (±0.2)	W ₂ (±0.2)	W ₃ (±0.1)	W ₄ (±0.1)	α (±2°)	15.4	8.5	3.4	1.0	1.5	60
		L (±0.5)	L ₁ (±0.2)	H (±0.2)	H ₁ (±0.1)	H ₂ (±0.2)																																									
29.0	5.0	4.0	1.6	1.3																																											
W (±0.2)	W ₁ (±0.2)	W ₂ (±0.2)	α (±2°)																																												
15.4	8.5	3.4	60																																												
L (±0.5)	L ₁ (±0.2)	L ₂ (±0.1)	H (±0.2)	H ₁ (±0.1)	H ₂ (±0.2)																																										
29.0	6.0	2.0	4.0	1.6	1.3																																										
W (±0.2)	W ₁ (±0.2)	W ₂ (±0.2)	W ₃ (±0.1)	W ₄ (±0.1)	α (±2°)																																										
15.4	8.5	3.4	1.0	1.5	60																																										

表-3端子类型 Table-3 Terminal Type

代号 Code	图示与简述 Dimensions (mm)	代号 Code	图示与简述 Dimensions (mm)																					
E		F																						
				<table border="1"> <thead> <tr> <th>L (±0.5)</th> <th>L₁ (±0.2)</th> <th>L₂ (±0.1)</th> <th>H (±0.2)</th> <th>H₁ (±0.1)</th> </tr> </thead> <tbody> <tr> <td>29.0</td> <td>9.6</td> <td>6.2</td> <td>4.0</td> <td>0.5</td> </tr> <tr> <th>H₂ (±0.2)</th> <th>W (±0.2)</th> <th>W₁ (±0.2)</th> <th>W₂ (±0.2)</th> <th>Φ (±0.2)</th> </tr> <tr> <td>1.3</td> <td>15.4</td> <td>8.5</td> <td>4.8</td> <td>1.5</td> </tr> </tbody> </table>	L (±0.5)	L ₁ (±0.2)	L ₂ (±0.1)	H (±0.2)	H ₁ (±0.1)	29.0	9.6	6.2	4.0	0.5	H ₂ (±0.2)	W (±0.2)	W ₁ (±0.2)	W ₂ (±0.2)	Φ (±0.2)	1.3	15.4	8.5	4.8	1.5
L (±0.5)	L ₁ (±0.2)	L ₂ (±0.1)	H (±0.2)	H ₁ (±0.1)																				
29.0	9.6	6.2	4.0	0.5																				
H ₂ (±0.2)	W (±0.2)	W ₁ (±0.2)	W ₂ (±0.2)	Φ (±0.2)																				
1.3	15.4	8.5	4.8	1.5																				
G		H																						
				<table border="1"> <thead> <tr> <th>L (±0.5)</th> <th>L₁ (±0.2)</th> <th>L₂ (±0.1)</th> <th>L₃ (±0.1)</th> <th>L₄ (±0.1)</th> <th>L₅ (±0.1)</th> </tr> </thead> <tbody> <tr> <td>29.0</td> <td>8.45</td> <td>3.6</td> <td>3.3</td> <td>5.15</td> <td>1.2</td> </tr> <tr> <th>H (±0.2)</th> <th>W (±0.2)</th> <th>W₁ (±0.2)</th> <th>W₂ (±0.2)</th> <th>W₃ (±0.2)</th> <th>α (±1°)</th> </tr> <tr> <td>4.0</td> <td>15.4</td> <td>8.2</td> <td>1.85</td> <td>3.8</td> <td>18</td> </tr> </tbody> </table>	L (±0.5)	L ₁ (±0.2)	L ₂ (±0.1)	L ₃ (±0.1)	L ₄ (±0.1)	L ₅ (±0.1)	29.0	8.45	3.6	3.3	5.15	1.2	H (±0.2)	W (±0.2)	W ₁ (±0.2)	W ₂ (±0.2)	W ₃ (±0.2)	α (±1°)	4.0	15.4
L (±0.5)	L ₁ (±0.2)	L ₂ (±0.1)	L ₃ (±0.1)	L ₄ (±0.1)	L ₅ (±0.1)																			
29.0	8.45	3.6	3.3	5.15	1.2																			
H (±0.2)	W (±0.2)	W ₁ (±0.2)	W ₂ (±0.2)	W ₃ (±0.2)	α (±1°)																			
4.0	15.4	8.2	1.85	3.8	18																			
			<table border="1"> <thead> <tr> <th>L (±0.5)</th> <th>H (±0.2)</th> <th>W (±0.2)</th> <th>L₀, L₁, L₂, L₃, L₄ 可定制 (can be customized)</th> </tr> </thead> <tbody> <tr> <td>33.0</td> <td>4.0</td> <td>15.4</td> <td></td> </tr> </tbody> </table>	L (±0.5)	H (±0.2)	W (±0.2)	L ₀ , L ₁ , L ₂ , L ₃ , L ₄ 可定制 (can be customized)	33.0	4.0	15.4														
L (±0.5)	H (±0.2)	W (±0.2)	L ₀ , L ₁ , L ₂ , L ₃ , L ₄ 可定制 (can be customized)																					
33.0	4.0	15.4																						

TMS

TMS

包装信息 Packaging Information

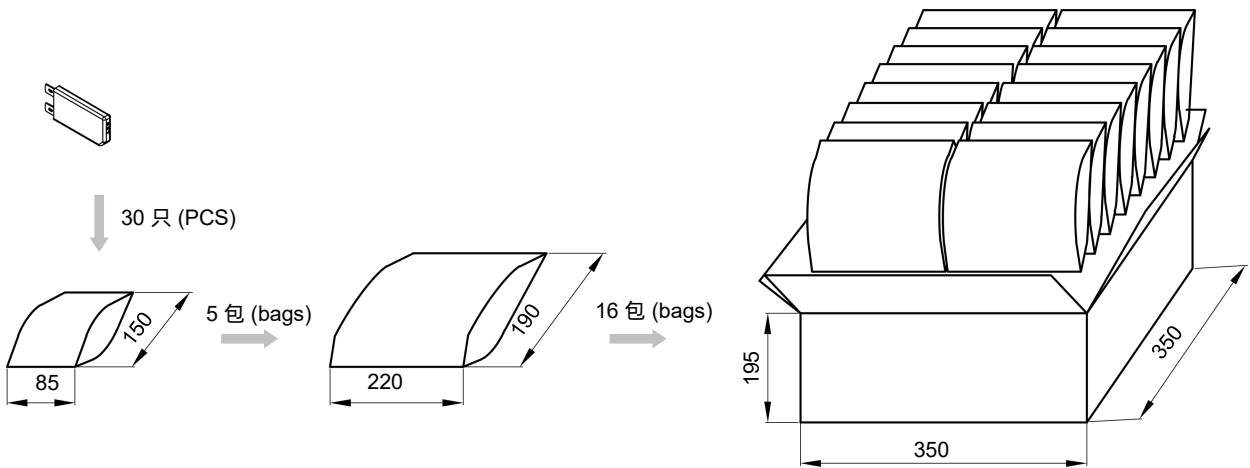
散装 (以表-3 C 型为例)

Bulk (Take Table-3 Type C terminal as an example)

项目 Item	PE袋 PE Bag	PE袋 PE Bag	纸箱 Carton
尺寸 Dimensions (mm)	150 × 85	220 × 190	350 × 350 × 195
数量 Quantity (PCS)	30	150	2400

备注：包装尺寸及数量仅供参考。
Remark: The dimensions and quantity of packaging is for reference only.

TMS



TMS